

**PROCESSOR**  
252 SHEET 4  
**DSP AUDIO**

**RECEIVER**  
246  
GND RX-ANT  
SHEET 3

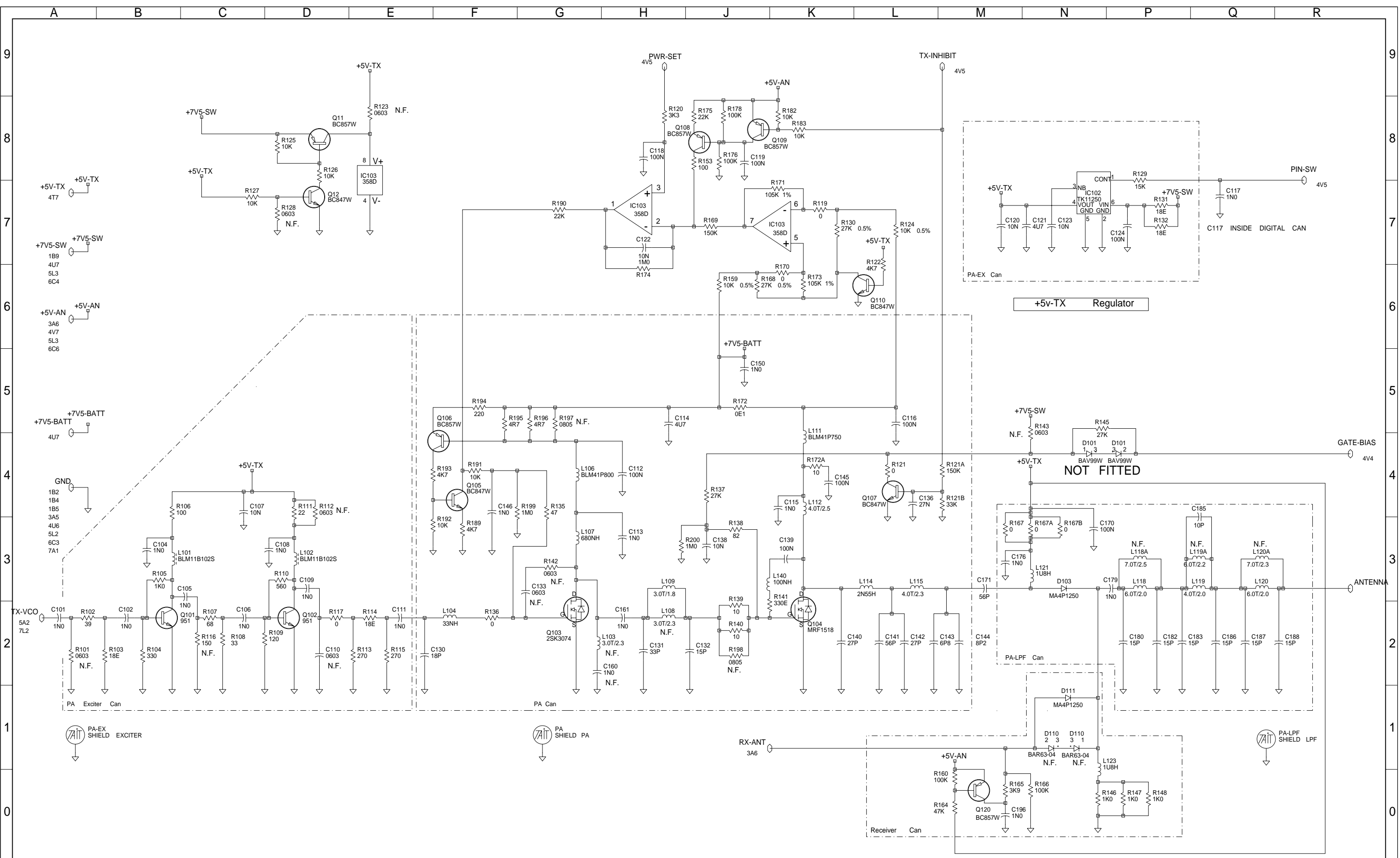
**SYNTH-VCO**  
2922  
GND  
SHEET 5

**POWER-AMP**  
93  
GND RX-ANT  
SHEET 2

04A	CCO NO. 1654-004	BRD			15-03-01
03B	CCO NO. 1654-003	BRD			08-01-01
03A	CCO NO. 1654-002	BRD			26-09-00
02A	CCO NO. 1654-001	BRD			09-8-00
01A	NEW PA LINEUP SYNTH RX	BRD			10/07/00
REV/ISS	AMENDMENTS	DRAWN	CHKD	D.O.	APVD DATE

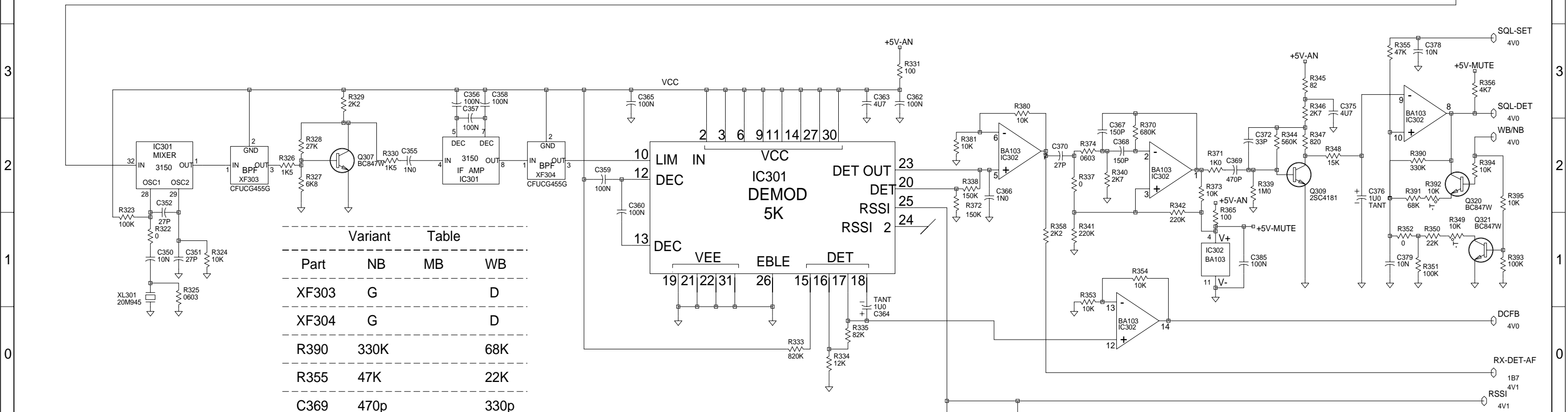
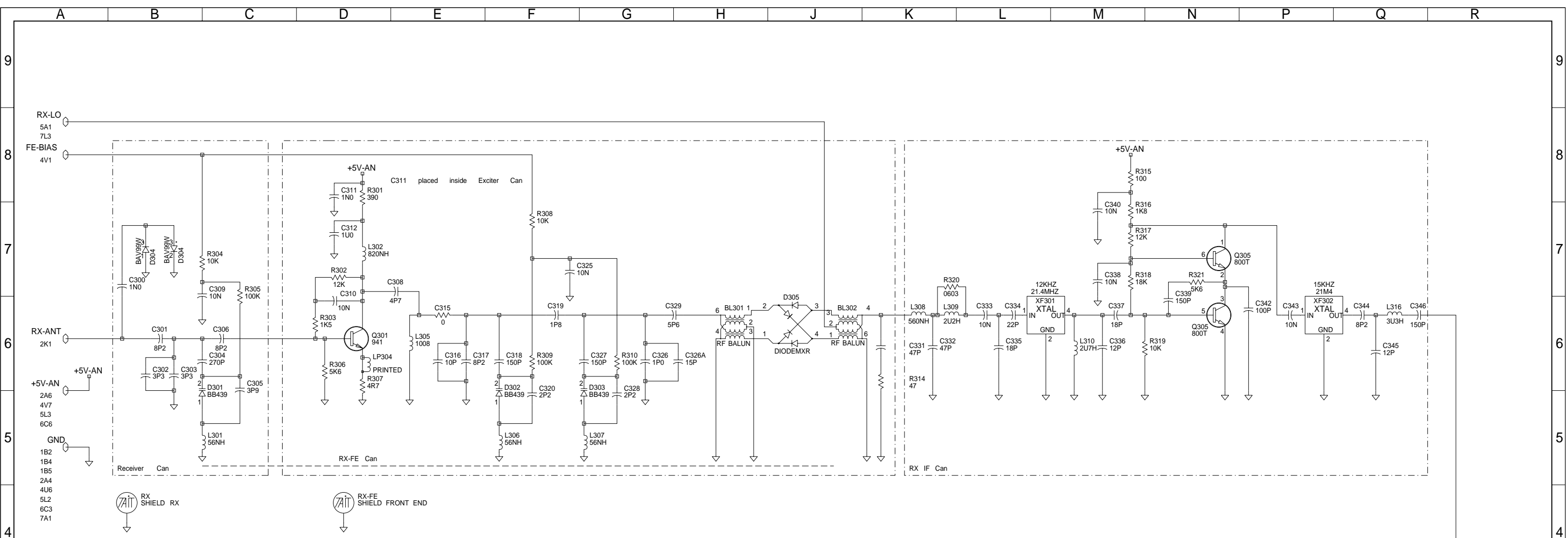


© **TAIT ELECTRONICS**  
**TOP T5K 174-225MHZ SYSTEM DIAGRAM**  
 IPN: 220-01654-04 ISSUE: A ID: 2.SC. 1  
 PROJECT: TAIT ORCA DESIGNER: BRD FILE NAME: 165404a FILE DATE: 15-Mar-01 NO.SHEETS: 7



© TAIT ELECTRONICS  
 TOP T5K 174-225MHZ  
 POWER AMPLIFIER  
 IPN: 220-01654-04 ISSUE: A ID: 2.SC. 2  
 PROJECT: TAIT ORCA DESIGNER: BRD FILE NAME: 165404a FILE DATE: 15-Mar-01 NO.SHEETS: 7

REV/ISS	AMENDMENTS	DRAWN	CHKD	D.O.	APVD	DATE
A						

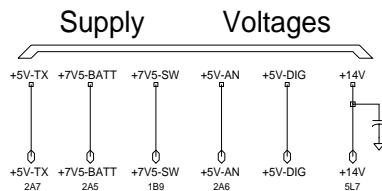
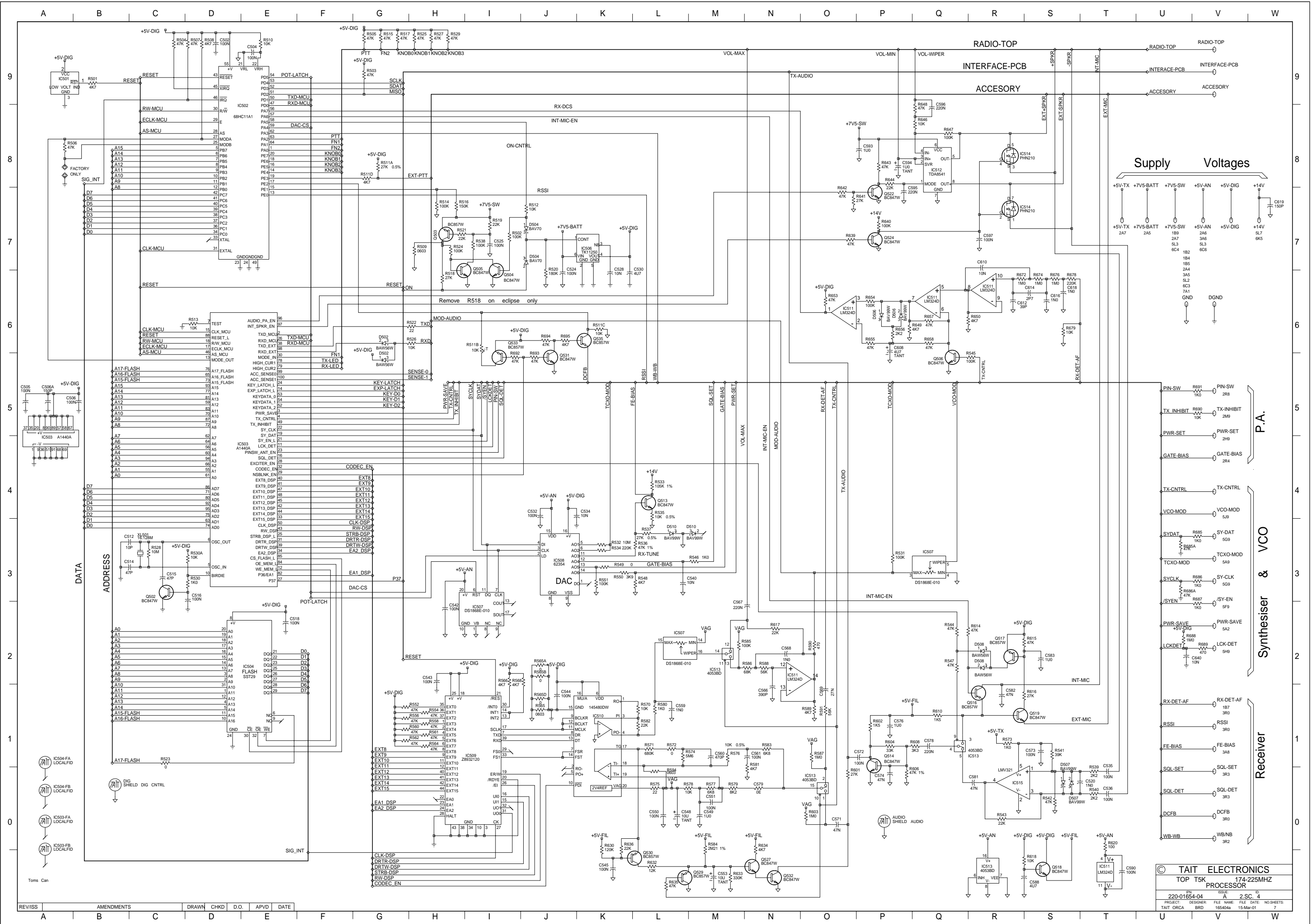


Variant Table

Part	NB	MB	WB
XF303	G		D
XF304	G		D
R390	330K		68K
R355	47K		22K
C369	470p		330p

TAIT ELECTRONICS  
 TOP T5K 174-225MHZ RECEIVER  
 IPN: 220-01654-04 ISSUE: A ID: 2.SC. 3  
 PROJECT: TAIT ORCA DESIGNER: BRD FILE NAME: 165404a FILE DATE: 15-Mar-01 NO. SHEETS: 7

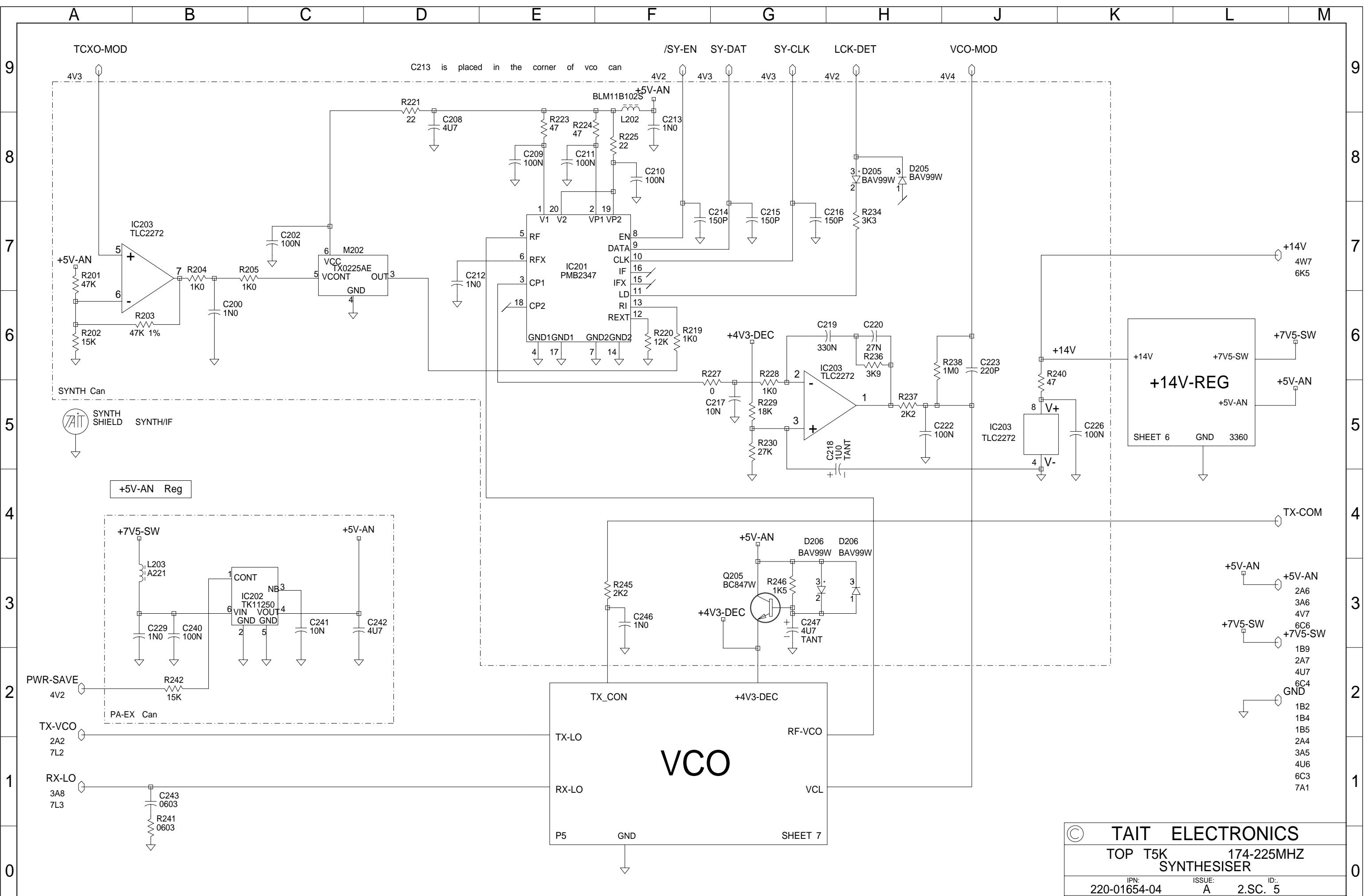
REV/ISS	AMENDMENTS	DRAWN	CHKD	D.O.	APVD	DATE



- P.A.
  - PIN-SW 2R8
  - TX-INHIBIT 2M8
  - PWR-SET 2H9
  - GATE-BIAS 2R4
- Synthesiser & VCO
  - TX-CNTRL 2X-CNTRL
  - VCO-MOD 5L9
  - TCXO-MOD 5A9
  - SYCLK 5G9
  - SYEN 5F9
  - PWR-SAVE 5A2
  - LCK-DET 5H9
- Receiver
  - RX-DET-AF 1B7
  - RSSI 3R0
  - FE-BIAS 3A8
  - SOL-SET 3R3
  - SOL-DET 3R3
  - DCFB 3R0
  - WB-WB 3R2

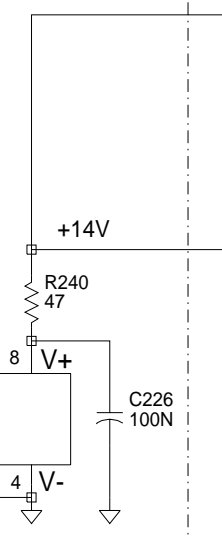
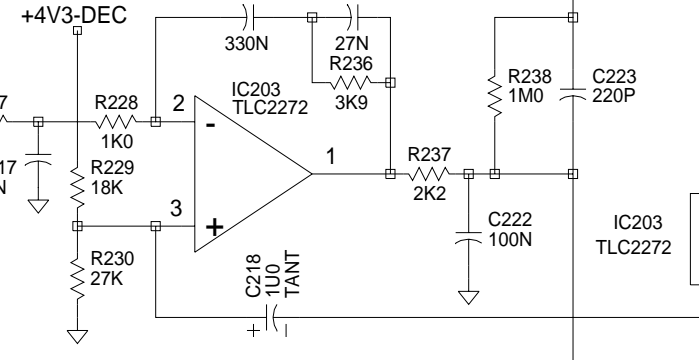
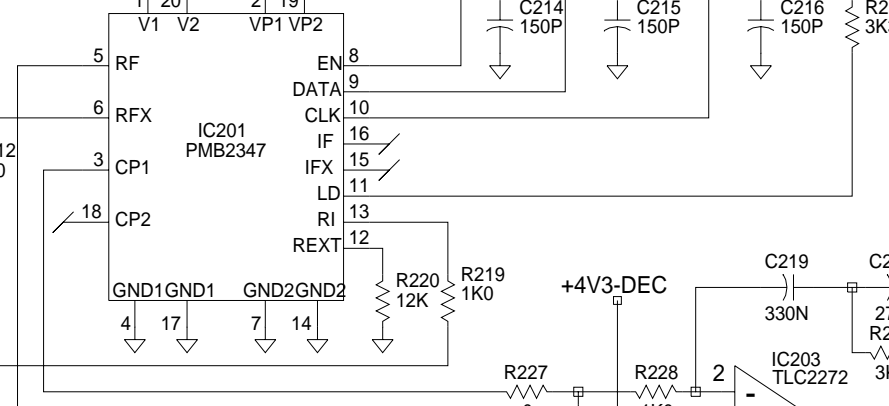
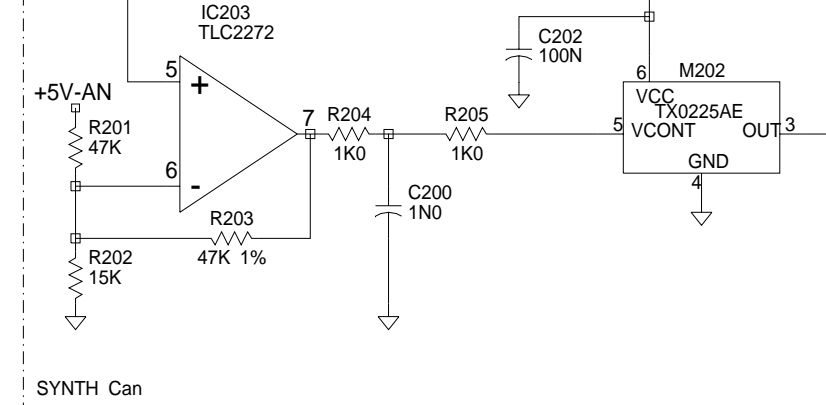
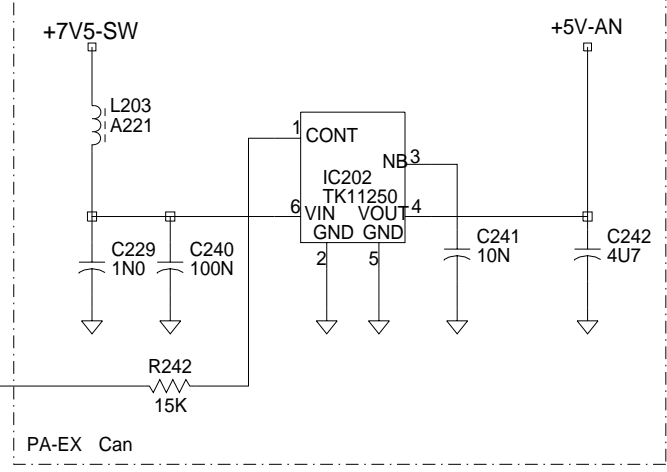
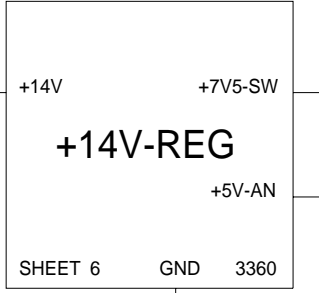
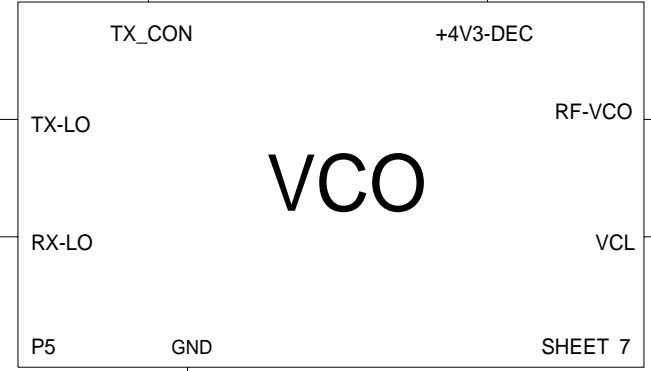
© TAIT ELECTRONICS  
 TOP T5K 174-225MHZ  
 PROCESSOR  
 220-01654-04 A 2.S.C. 4  
 PROJECT DESIGNER FILE NAME FILE DATE NO SHEETS  
 TAIT ORCA BRD 165404B 15-Mar-01 7

REV/ISS	AMENDMENTS	DRAWN	CHKD	D.O.	APVD	DATE
A	B	C	D	E	F	G



© TAIT ELECTRONICS				
TOP T5K		174-225MHZ		
SYNTHESISER				
IPN:	ISSUE:	ID:		
220-01654-04	A	2.SC. 5		
PROJECT:	DESIGNER:	FILE NAME:	FILE DATE:	NO.SHEETS:
TAIT ORCA	BRD	165404a	15-Mar-01	7

REV/ISS	AMENDMENTS	DRAWN	CHKD	D.O.	APVD	DATE



- +5V-AN 2A6
- +5V-AN 3A6
- +5V-AN 4V7
- +7V5-SW 6C6
- +7V5-SW 1B9
- +7V5-SW 2A7
- +7V5-SW 4U7
- +7V5-SW 6C4
- GND 1B2
- GND 1B4
- GND 1B5
- GND 2A4
- GND 3A5
- GND 4U6
- GND 6C3
- GND 7A1

C213 is placed in the corner of vco can

VCO

+14V-REG

+5V-AN Reg

TCXO-MOD

/SY-EN SY-DAT SY-CLK LCK-DET VCO-MOD

TX\_CON

+4V3-DEC

TX-LO

RF-VCO

RX-LO

VCL

P5

GND

SHEET 7

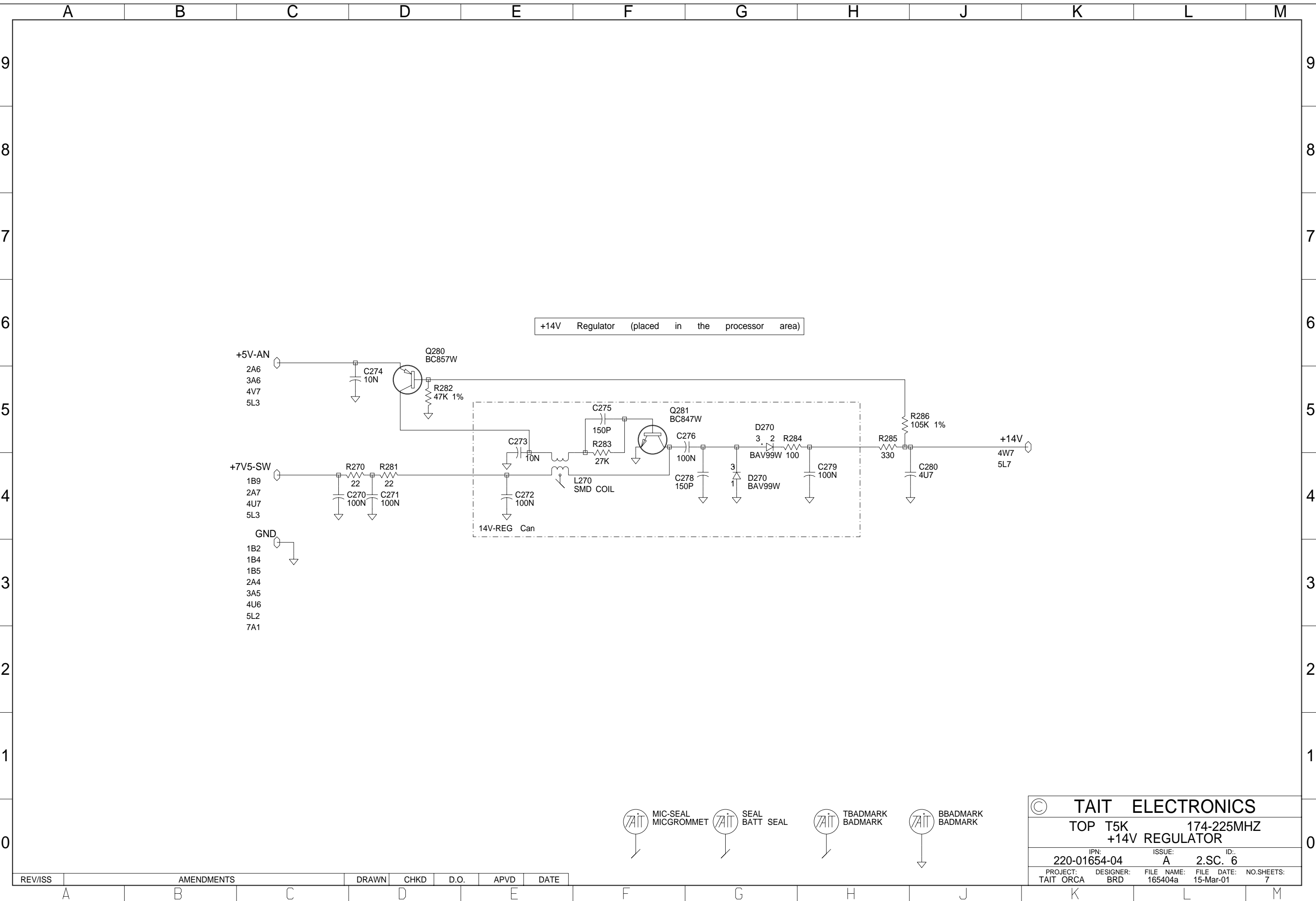
©

TAIT ELECTRONICS

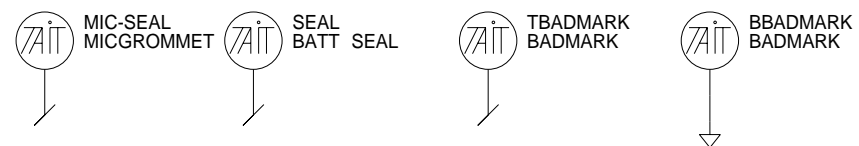
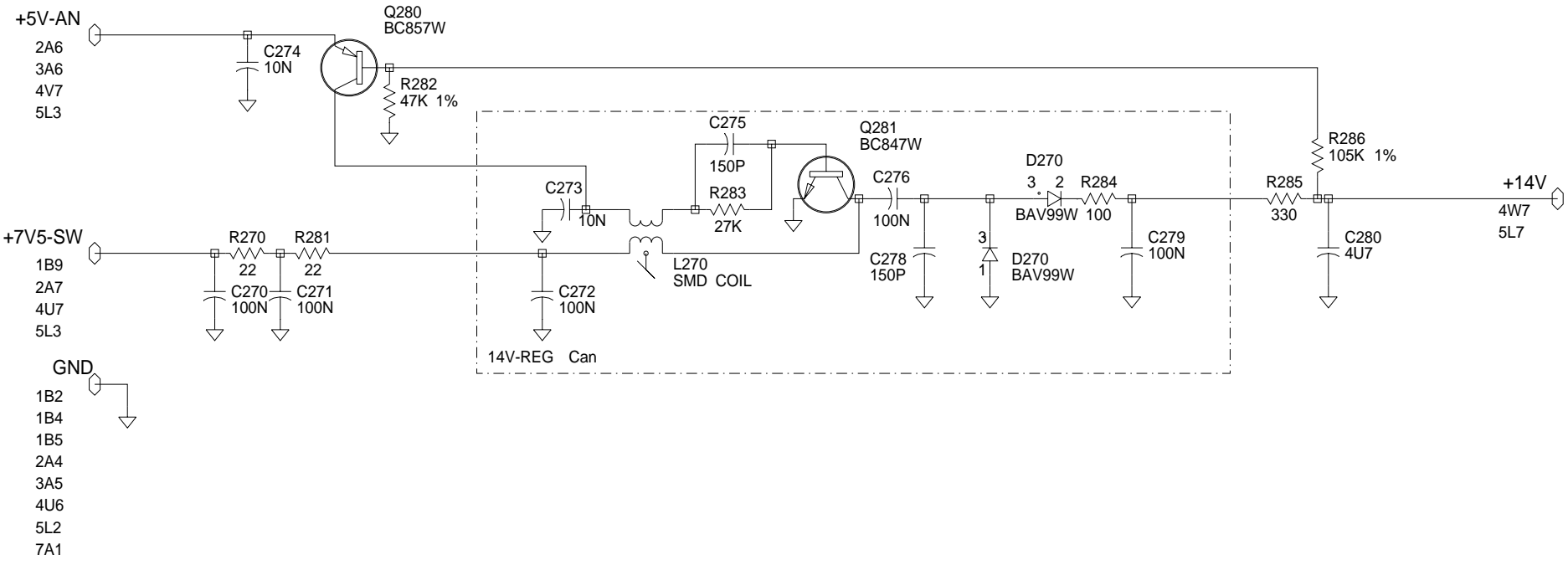
TOP T5K 174-225MHZ SYNTHESISER

IPN: 220-01654-04 ISSUE: A ID: 2.SC. 5

PROJECT: TAIT ORCA DESIGNER: BRD FILE NAME: 165404a FILE DATE: 15-Mar-01 NO.SHEETS: 7

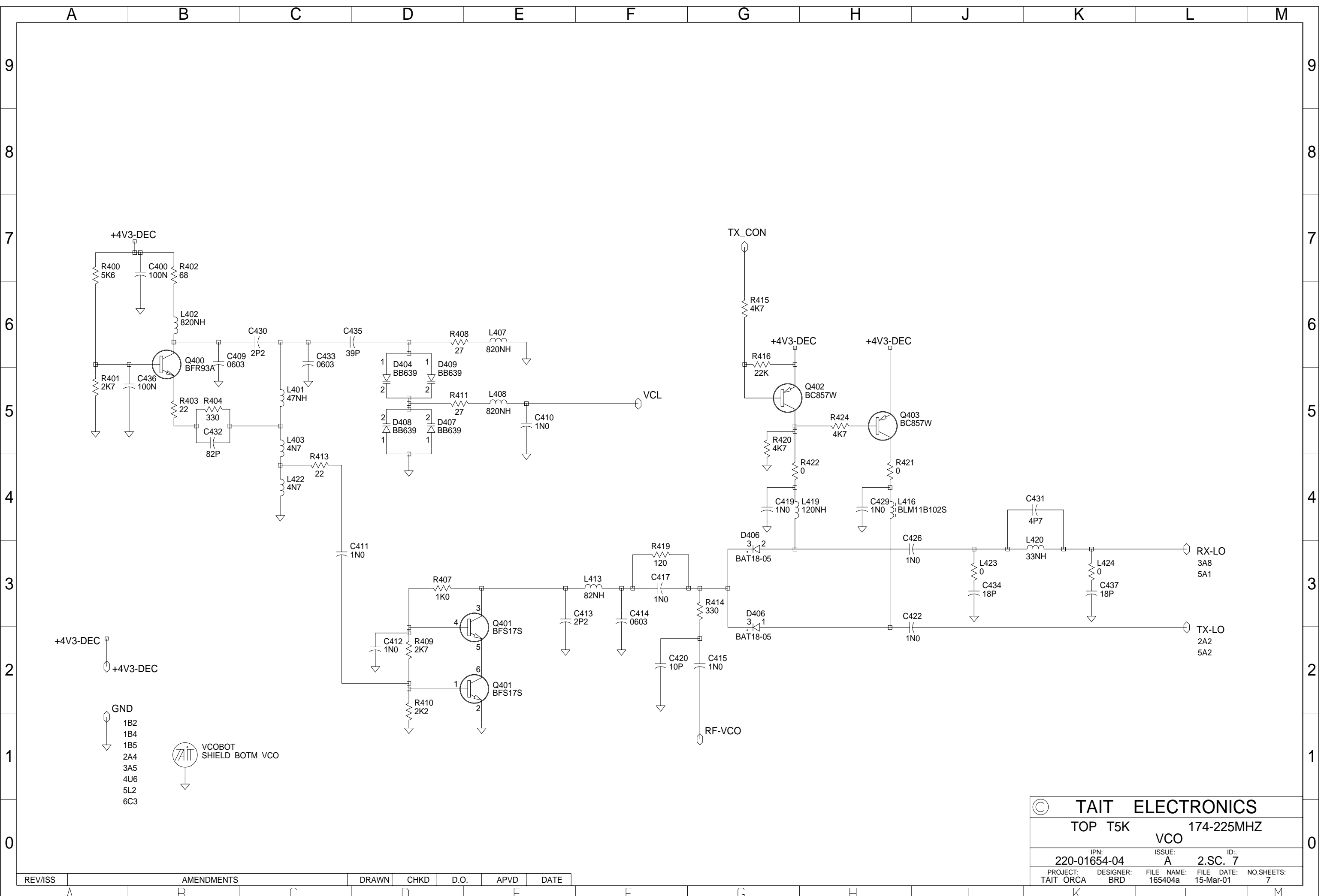


+14V Regulator (placed in the processor area)



© TAIT ELECTRONICS	
TOP T5K	174-225MHZ
+14V REGULATOR	
IPN: 220-01654-04	ID: 2.SC. 6
PROJECT: TAIT ORCA	DESIGNER: BRD
FILE NAME: 165404a	FILE DATE: 15-Mar-01
NO.SHEETS: 7	

REV/ISS	AMENDMENTS	DRAWN	CHKD	D.O.	APVD	DATE
---------	------------	-------	------	------	------	------

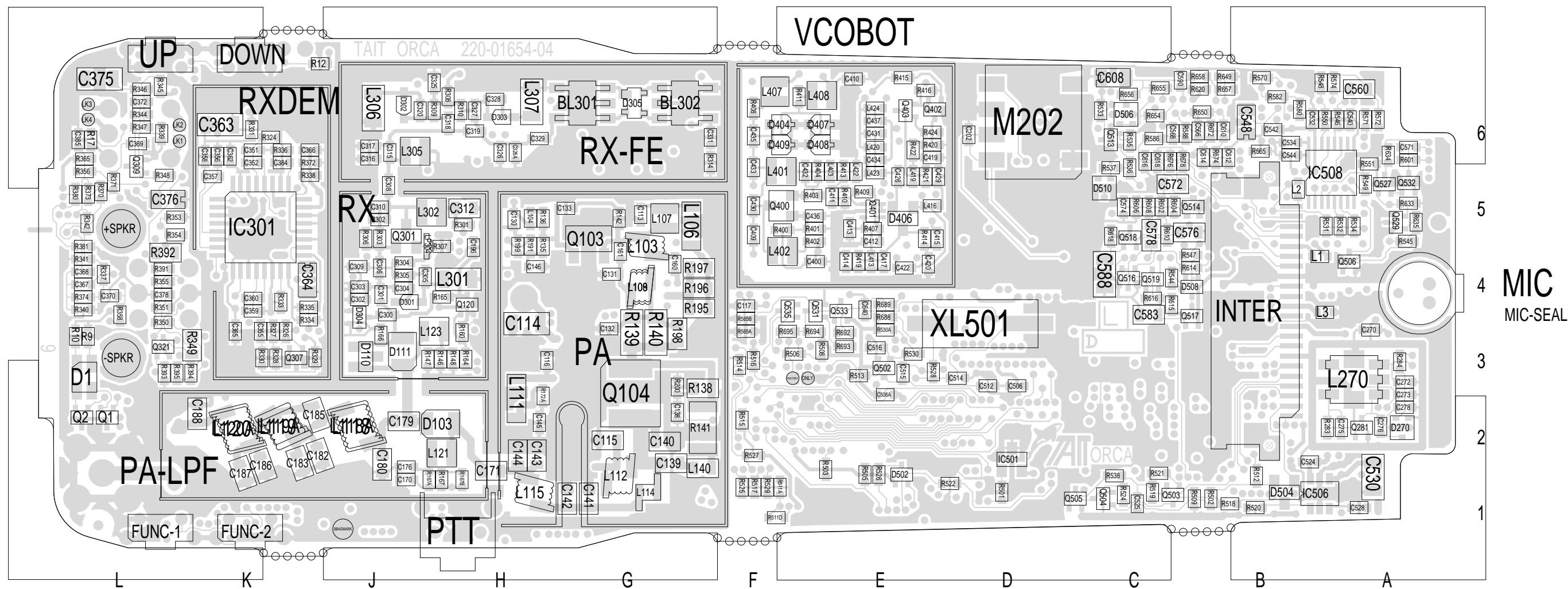


© TAIT ELECTRONICS	
TOP T5K	174-225MHZ
VCO	
IPN: 220-01654-04	ID: 2.SC. 7
ISSUE: A	
PROJECT: TAIT ORCA	DESIGNER: BRD
FILE NAME: 165404a	FILE DATE: 15-Mar-01
	NO.SHEETS: 7

REV/ISS	AMENDMENTS	DRAWN	CHKD	D.O.	APVD	DATE







TAIT ELECTRONICS IPN: 220-01654-04 ISS: A ID: 6.BA DATE: 15 Mar 2001  
 TAIT ORCA PCB LAYOUT - BOTTOM SIDE